

INSTALLATION CONTACTORS - FROM 16 A UP TO 32 A

AC-1 acc. to IEC/EN 60947-4-1 (2-pole, 1 module)

32 A
AC/DC

HUM-FREE

Type	Rated current I _n	Control voltage	Wiring diagram	Ordering No.	Weight (g)	Packaging (pcs)		
IKD216-20	16 A	230 V AC 220 V DC		30.047.506	130	6		
IKD216-20	16 A	24 V AC/DC		30.047.507	130			
IKD20-20	20 A	230 V AC 220 V DC		30.046.006	130			
IKD20-20	20 A	24 V AC/DC		30.046.024	130			
IKD225-20	25 A	230 V AC 220 V DC		30.046.860	130			
IKD225-20	25 A	24 V AC/DC		30.046.861	130			
IKD232-20	32 A	230 V AC 220 V DC		30.046.862	130			
IKD232-20	32 A	24 V AC/DC		30.046.863	130			
IKD216-11	16 A	230 V AC 220 V DC			30.047.508		130	6
IKD216-11	16 A	24 V AC/DC			30.047.509		130	
IKD20-11	20 A	230 V AC 220 V DC			30.046.011		130	
IKD20-11	20 A	24 V AC/DC			30.046.025		130	
IKD225-11	25 A	230 V AC 220 V DC	30.046.864		130			
IKD225-11	25 A	24 V AC/DC	30.046.865		130			
IKD232-11	32 A	230 V AC 220 V DC	30.046.866		130			
IKD232-11	32 A	24 V AC/DC	30.046.867		130			
IKD216-10	16 A	230 V AC 220 V DC			30.047.510	125	6	
IKD216-10	16 A	24 V AC/DC			30.047.511	125		
IKD20-10	20 A	230 V AC 220 V DC			30.046.868	125		
IKD20-10	20 A	24 V AC/DC			30.046.590	125		
IKD225-10	25 A	230 V AC 220 V DC		30.046.869	125			
IKD225-10	25 A	24 V AC/DC		30.046.870	125			
IKD232-10	32 A	230 V AC 220 V DC		30.046.871	125			
IKD232-10	32 A	24 V AC/DC		30.046.872	125			
IKD216-01	16 A	230 V AC 220 V DC			30.047.512	125		6
IKD216-01	16 A	24 V AC/DC			30.047.513	125		
IKD20-01	20 A	230 V AC 220 V DC			30.046.873	125		
IKD20-01	20 A	24 V AC/DC			30.046.874	125		
IKD225-01	25 A	230 V AC 220 V DC	30.046.875		125			
IKD225-01	25 A	24 V AC/DC	30.046.876		125			
IKD232-01	32 A	230 V AC 220 V DC	30.046.877		125			
IKD232-01	32 A	24 V AC/DC	30.046.878		125			
IKD216-02	16 A	230 V AC 220 V DC			30.047.514	130	6	
IKD216-02	16 A	24 V AC/DC			30.047.515	130		
IKD20-02	20 A	230 V AC 220 V DC			30.046.012	130		
IKD20-02	20 A	24 V AC/DC			30.046.026	130		
IKD225-02	25 A	230 V AC 220 V DC		30.046.879	130			
IKD225-02	25 A	24 V AC/DC		30.046.880	130			
IKD232-02	32 A	230 V AC 220 V DC		30.046.881	130			
IKD232-02	32 A	24 V AC/DC		30.046.882	130			



3

ORDERING DATA

Other control voltages are on request - define type and voltage

INSTALLATION CONTACTORS - WITH MANUAL CONTROL

UP TO 32 A

AC-1 acc. to IEC/EN 60947-4-1 (2-pole, 1 module)



HUM-FREE



3

Type	Rated current I _n	Control voltage	Wiring diagram	Ordering No.	Weight (g)	Packaging (pcs)
IKD216-20-R	16 A	230 V AC 220 V DC		30.047.546	130	6
IKD216-20-R	16 A	24 V AC/DC		30.047.547	130	
IKD20-20-R	20 A	230 V AC 220 V DC		30.046.381	130	
IKD20-20-R	20 A	24 V AC/DC		30.046.506	130	
IKD225-20-R	25 A	230 V AC 220 V DC		30.046.930	130	
IKD225-20-R	25 A	24 V AC/DC		30.046.931	130	
IKD232-20-R	32 A	230 V AC 220 V DC		30.046.932	130	6
IKD232-20-R	32 A	24 V AC/DC		30.046.933	130	
IKD216-11-R	16 A	230 V AC 220 V DC		30.047.548	130	
IKD216-11-R	16 A	24 V AC/DC		30.047.549	130	
IKD20-11-R	20 A	230 V AC 220 V DC		30.046.507	130	
IKD20-11-R	20 A	24 V AC/DC		30.046.508	130	
IKD225-11-R	25 A	230 V AC 220 V DC		30.046.934	130	6
IKD225-11-R	25 A	24 V AC/DC		30.046.935	130	
IKD232-11-R	32 A	230 V AC 220 V DC		30.046.936	130	
IKD232-11-R	32 A	24 V AC/DC		30.046.937	130	
IKD216-10-R	16 A	230 V AC 220 V DC		30.047.550	125	
IKD216-10-R	16 A	24 V AC/DC		30.047.551	125	
IKD20-10-R	20 A	230 V AC 220 V DC		30.046.938	125	6
IKD20-10-R	20 A	24 V AC/DC		30.046.939	125	
IKD225-10-R	25 A	230 V AC 220 V DC		30.046.940	125	
IKD225-10-R	25 A	24 V AC/DC		30.046.941	125	
IKD232-10-R	32 A	230 V AC 220 V DC		30.046.942	125	
IKD232-10-R	32 A	24 V AC/DC		30.046.943	125	
IKD216-01-R	16 A	230 V AC 220 V DC		30.047.552	125	6
IKD216-01-R	16 A	24 V AC/DC		30.047.553	125	
IKD20-01-R	20 A	230 V AC 220 V DC		30.046.944	125	
IKD20-01-R	20 A	24 V AC/DC		30.046.945	125	
IKD225-01-R	25 A	230 V AC 220 V DC		30.046.946	125	
IKD225-01-R	25 A	24 V AC/DC		30.046.947	125	
IKD232-01-R	32 A	230 V AC 220 V DC		30.046.948	125	6
IKD232-01-R	32 A	24 V AC/DC		30.046.949	125	
IKD216-02-R	16 A	230 V AC 220 V DC		30.047.554	130	
IKD216-02-R	16 A	24 V AC/DC		30.047.555	130	
IKD20-02-R	20 A	230 V AC 220 V DC		30.046.950	130	
IKD20-02-R	20 A	24 V AC/DC		30.046.951	130	
IKD225-02-R	25 A	230 V AC 220 V DC		30.046.952	130	6
IKD225-02-R	25 A	24 V AC/DC		30.046.953	130	
IKD232-02-R	32 A	230 V AC 220 V DC		30.046.954	130	
IKD232-02-R	32 A	24 V AC/DC		30.046.955	130	

Other control voltages are on request - define type and voltage

ORDERING DATA

INSTALLATION CONTACTORS - WITH MANUAL MOMENTARY CONTROL

UP TO 32 A

AC-1 acc. to IEC/EN 60947-4-1 (2-pole, 1 module)



HUM-FREE



3

Type	Rated current I _n	Control voltage	Wiring diagram	Ordering No.	Weight (g)	Packaging (pcs)
IKD216-20-T	16 A	230 V AC 220 V DC		30.047.576	130	6
IKD20-20-T	20 A	230 V AC 220 V DC		30.046.999	130	
IKD225-20-T	25 A	230 V AC 220 V DC		30.047.000	130	
IKD232-20-T	32 A	230 V AC 220 V DC		30.047.001	130	
IKD216-11-T	16 A	230 V AC 220 V DC		30.047.577	130	6
IKD20-11-T	20 A	230 V AC 220 V DC		30.047.002	130	
IKD225-11-T	25 A	230 V AC 220 V DC		30.047.003	130	
IKD232-11-T	32 A	230 V AC 220 V DC		30.047.004	130	
IKD216-10-T	16 A	230 V AC 220 V DC		30.047.578	125	6
IKD20-10-T	20 A	230 V AC 220 V DC		30.047.005	125	
IKD225-10-T	25 A	230 V AC 220 V DC		30.047.006	125	
IKD232-10-T	32 A	230 V AC 220 V DC		30.047.007	125	
IKD216-01-T	16 A	230 V AC 220 V DC		30.047.579	125	6
IKD20-01-T	20 A	230 V AC 220 V DC		30.047.008	125	
IKD225-01-T	25 A	230 V AC 220 V DC		30.047.009	125	
IKD232-01-T	32 A	230 V AC 220 V DC		30.047.010	125	
IKD216-02-T	16 A	230 V AC 220 V DC		30.047.580	130	6
IKD20-02-T	20 A	230 V AC 220 V DC		30.047.011	130	
IKD225-02-T	25 A	230 V AC 220 V DC		30.047.012	130	
IKD232-02-T	32 A	230 V AC 220 V DC		30.047.013	130	

ORDERING DATA

INSTALLATION CONTACTORS - UP TO 25 A

	Type	Symbol	Unit	IK21	IKA216 IKA216-R IKA216-T	IKD216 IKD216-R IKD216-T	IKA20 IKA20-R IKA20-T ¹⁾	IKD20 IKD20-R IKD20-T ¹⁾	IKA225 IKA225-R IKA225-T ¹⁾	IKD225 IKD225-R IKD225-T ¹⁾	
	Standards	IEC/EN 61095, IEC/EN 60947-4-1, IEC/EN 60947-5-1									
Approvals	CE, EAC										
Module width	2										
Number of poles	4										
Degree of protection	IP20 (IP40 when installed in installation box - distribution board)										
Pollution degree	3										
Climatic conditions	95 % relative humidity										
Operating ambient temperature	°C	-15 ... +55	-25 ... +70 (2NO)							-15 ... +70 (1NO)	
			-15 ... +70 (for IKD216, IKD20 and IKD225 -15 ... +55 (1NO+1NC))							-15 ... +55 (2NC)	
										-15 ... +55 (1NC)	
Number of contactors or switches side-by-side: ≤40 °C (40 ... 55) °C (55 ... 70) °C			no limitation			max. 3					
						max. 2					
						max. 1 (ventilation modules or least 9 mm free space on each side)					
Storage temperature	°C		-40... +80								
Maximum altitude	m		2000								
U _i and U _e is reduced for 1.2 % and I _e for 0.4 % for every additional 100 m											
Noise level (operation)	dB	30	30	20	30	20	30	20	30	20	
Vibration resistance according to IEC/EN 60068-2-6	a	g	switched off: 2 (Z and X axis) / switched on: 3 (Z axis) and 1 (X axis)								
Shock resistance according to IEC/EN 6068-2-27	a	g	switched off: 10 (Z and X axis) / switched on: 15 (Z axis) and 2 (X axis)								
Maximum operating frequency with no load		op. c./h	3.000								
Mechanical endurance		op. c.	3.000.000	10.000.000	3.000.000	10.000.000	3.000.000	10.000.000	3.000.000	10.000.000	
Weight		g	170	130	130	130	130	130	130	130	
Contact reliability	≥17 V; ≥50 mA										
Minimum distance of open contacts	mm		3,6								
Power dissipation per pole	W	2.0	1.2	1.2	1.7	1.7	2.0	2.0			
Overload current withstand capability: 10 s	A	40	56				72				
Maximum back-up fuse for short-circuit protection gL and gG: coordination type 1	I _v	A					25		25		
coordination type 2			20	16	16	20	20				
Rated insulation voltage	U _i	V	415		440						
Rated impulse withstand voltage	U _{imp}	kV	4								
Rated operational voltage	U _e	V	400		400 ²⁾³⁾						
Rated frequency	f	Hz	50/60								
Max. thermal current up to +55 °C	I _{th}	A	20	16		20		25			
Max. thermal current @ +70 °C	I _{th}	A			16		20		25		
Rated operational current for AC-1, AC-7a and AC-21	I _e	A	20		16		20		25		
Operational power for AC-1, AC-7a and AC-21: single-phase 230 V	P _e	kW			3.5		4		5.4		
three-phase 230 V			7.5								
three-phase 400 V			13								
Maximum operating frequency for AC-1, AC-7a and AC-21		op. c./h	600								
Electrical endurance for AC-1, AC-7a and AC-21		op. c.	200.000								
Rated operational current for AC-2	I _e	A			10		12		14		
Operational power for AC-2: single-phase 230 V	P _e	kW			1.5		1.8		2.0		
three-phase 230 V			2.5								
three-phase 400 V			4.5								
Maximum operating frequency for AC-2		op. c./h	120								
Electrical endurance for AC-2		op. c.	100.000								
Rated operational current for AC-22	I _e	A	20		16		20		25		
Operational power for AC-22: single-phase 230 V	P _e	kW	3.7		2.9		3.7		4.6		
three-phase 230 V			6.3								
three-phase 400 V			11								
Maximum operating frequency for AC-22		op. c./h	300								
Electrical endurance for AC-22		op. c.	50.000								
Rated operational current for AC-23	I _e	A	5		NO: 7 / NC: 4		NO: 9 / NC: 6				
Operational power for AC-3, AC-3e, AC-7b and AC-23: single-phase 230 V	P _e	kW	0.37		NO: 1.1 / NC: 0.55		NO: 1.3 / NC: 0.75				
three-phase 230 V			1.1								
three-phase 400 V			2.2								
Maximum operating frequency for AC-3, AC-3e, AC-7b and AC-23		op. c./h	600								
Electrical endurance for AC-3, AC-3e, AC-7b and AC-23		op. c.	300.000								

1) Available approvals only CE and EAC 2) Rated operational voltage between two line (phase) conductors 3) Rated operational voltage for versions of contacts -10 and-01 is 230 V

INSTALLATION CONTACTORS - UP TO 25 A

Type	Symbol	Unit	IK21	IKA216 IKA216-R IKA216-T	IKD216 IKD216-R IKD216-T	IKA20 IKA20-R IKA20-T	IKD20 IKD20-R IKD20-T	IKA225 IKA225-R IKA225-T	IKD225 IKD225-R IKD225-T
Rated operational current for AC-5a (at 230 V)	I_e	A			8.8				11.2
Maximum operating frequency for AC-5a		op. c./h				600			
Electrical endurance for AC-5a		op. c.				100.000			
Rated operational current for AC-5b (at 230 V)	I_e	A			8.8				9.7
Maximum operating frequency for AC-5b		op. c./h				600			
Electrical endurance for AC-5b		op. c.				100.000			
Rated operational current for AC-6a (at 230 V)	I_e	A			4				4.8
Maximum operating frequency for AC-6a		op. c./h				600			
Electrical endurance for AC-6a		op. c.				100.000			
Switching of capacitors AC-6b and AC-7c (at 230 V)	C	μ F			30				36
Maximum operating frequency for AC-6b and AC-7c		op. c./h				600			
Electrical endurance for AC-6b and AC-7c		op. c.				100.000			
Rated operational current for DC-1 (L/R \leq 1 ms):									
1 pole ... 24 V DC/48 V DC/60 V DC/110 V DC/ 220 V DC	I_e	A	20/12/6/2/0.5	16/12/8/4/0.5		20/15/10/6/0.6		25/20/15/6/0.6	
2 poles in series ... 24 V DC/48 V DC/60 V DC/110 V DC/ 220 V DC			20/15/10/4/1.5	16/15/12/8/0.4		20/18/15/10/6		25/25/20/10/6	
3 poles in series ... 24 V DC/48 V DC/60 V DC/110 V DC/ 220 V DC			20/20/20/6/2.5						
4 poles in series ... 24 V DC/48 V DC/60 V DC/110 V DC/ 220 V DC			20/20/20/6/3.5						
Maximum operating frequency for DC-1		op. c./h				300			
Electrical endurance for DC-1		op. c.				100.000			
Rated operational current for DC-3 (L/R \leq 2 ms):									
1 pole ... 24 V DC/48 V DC/60 V DC/110 V DC/ 220 V DC	I_e	A		10/5/2/1/0.1				15/8/4/1.3/0.2	
2 poles in series ... 24 V DC/48 V DC/60 V DC/110 V DC/ 220 V DC			20/10/8/4/0.4	16/10/8/4/0.4		20/10/8/4/0.4		25/16/12/5.5/0.6	
3 poles in series ... 24 V DC/48 V DC/60 V DC/110 V DC/ 220 V DC			20/20/15/6/2.5						
4 poles in series ... 24 V DC/48 V DC/60 V DC/110 V DC/ 220 V DC			20/20/15/6/3.5						
Maximum operating frequency for DC-3		op. c./h				300			
Electrical endurance for DC-3		op. c.				100.000			
Rated operational current for DC-5 (L/R \leq 7.5 ms):									
1 pole ... 24 V DC/48 V DC/60 V DC/110 V DC/ 220 V DC	I_e	A		10/4/1/0.3/0.06				15/5/3/0.5/0.1	
2 poles in series ... 24 V DC/48 V DC/60 V DC/110 V DC/ 220 V DC			20/8/6/2/0.2	16/8/6/2/0.2		20/8/6/2/0.2		25/15/10/4/0.4	
3 poles in series ... 24 V DC/48 V DC/60 V DC/110 V DC/ 220 V DC			20/20/15/5/1.5						
4 poles in series ... 24 V DC/48 V DC/60 V DC/110 V DC/ 220 V DC			20/20/15/5/3						
Maximum operating frequency for DC-5		op. c./h				300			
Electrical endurance for DC-5		op. c.				100.000			
Terminal capacity:									
rigid (solid and stranded)	S	mm ²	1 ... 2.5			1 ... 10			
flexible		mm ²	1 ... 2.5			1 ... 6			
Min. conductor @ thermal current @ +70 °C		mm ²			2.5			4	
Length of removed wire insulation		mm				9			
Screw						M3.5			
Screw head			PZ2			PZ1			
Tightening torque		Nm				1.2			
Contact reliability						\geq 17 V; \geq 50 mA			
Minimum distance of open contacts		mm				3.6			
Power dissipation per pole		W	2	1.3	1.3	1.7	1.7	2	2
Overload current withstand capability:									
10 s		A	40		56			72	
Maximum back-up fuse for short-circuit protection gL and gG:									
coordination type 1	I_v	A						25	25
coordination type 2			20	16	16	20	20		
Rated insulation voltage	U_i	V	415			440			
Rated impulse withstand voltage	U_{imp}	kV				4			
Rated operational voltage	U_e	V				230/400			
Rated frequency	f	Hz				50/60			
Thermal current	I_{th}	A	20		16		20		25
Rated operational current for AC-15:									
single-phase 230 V	I_e	A				6			
single-phase 400 V							4		
Maximum operating frequency for AC-15		op. c./h	1200			600			
Electrical endurance for AC-15		op. c.	200.000			300.000			
Rated operational current for DC-13:									
1 pole ... 24 V DC/48 V DC/60 V DC/110 V DC/ 220 V DC	I_e	A				6/4/1/0.3/0.05			
2 poles in series ... 24 V DC/48 V DC/60 V DC/110 V DC/ 220 V DC							6/6/4/1/0.1		
3 poles in series ... 24 V DC/48 V DC/60 V DC/110 V DC/ 220 V DC									
4 poles in series ... 24 V DC/48 V DC/60 V DC/110 V DC/ 220 V DC									

INSTALLATION CONTACTORS - UP TO 25 A

	Type	Symbol	Unit	IKA216	IKA216-R	IKA216-T	IKA216-R	IKA216-T	IKA20	IKA20-R	IKA20-T	IKA225	IKA225-R	IKA225-T	IKA225-R	IKA225-T
				IK21	IK216-R	IK216-T	IK20	IK20-R	IK20-T	IK225-R	IK225-T					
AUXILIARY CIRCUIT	Maximum operating frequency for DC-13		op. c./h	300												
	Electrical endurance for DC-13		op. c.	200.000												
	Terminal capacity:															
	rigid (solid and stranded)	S	mm ²	1 ... 2.5									1 ... 10			
	flexible			1 ... 2.5									1 ... 6			
	Length of removed wire insulation		mm	9												
	Screw			M3.5												
	Screw head		mm	PZ2									PZ1			
Tightening torque			1.2													
COIL	Range of control voltage for switch-on	U _c	%	85 ... 110												
	Range of control voltage for drop out	U _c	%	AC: 75 ... 20 / DC: 75 ... 10 (where is applicable)												
	Kind of voltage			AC	AC	AC/DC	AC	AC/DC	AC	AC/DC	AC	AC/DC	AC	AC/DC	AC	AC/DC
	Standard control voltages	U _c	V	12, 24, 48, 120, 230, 400			12, 24, 48, 120, 230									
	Frequency of AC control voltage	f	Hz	50/60	50/60	40 ... 500	50/60	40 ... 500	50/60	40 ... 500	50/60	40 ... 500	50/60	40 ... 500	50/60	40 ... 500
	Control mode			remote control with U _c / manual control only for types with -R and -T												
	Impulse duration of control voltage:															
	minimum			permanent												
	maximum			permanent												
	Minimum duration between two impulses of control voltage		ms	AC: 150 / DC: 500 (where is applicable)												
	Surge immunity withstand voltage 1.2/50 µs acc. to standard IEC/EN 61000-4-5		kV	2												
	Coil consumption:															
	switch-on	VA/W		30/25	12/10	2.1/2.1	12/10	2.1/2.1	12/10	2.1/2.1	12/10	2.1/2.1	12/10	2.1/2.1	12/10	2.1/2.1
	operation			5/1.5	2.8/1.2	2.1/2.1	2.8/1.2	2.1/2.1	2.8/1.2	2.1/2.1	2.8/1.2	2.1/2.1	2.8/1.2	2.1/2.1	2.8/1.2	2.1/2.1
	Delays:															
	make	ms		7 ... 20	15 ... 25	15 ... 45	15 ... 25	15 ... 45	15 ... 25	15 ... 45	15 ... 25	15 ... 45	15 ... 25	15 ... 45	15 ... 25	15 ... 45
	brake			10 ... 20	10 ... 30	20 ... 50	10 ... 30	20 ... 50	10 ... 30	20 ... 50	10 ... 30	20 ... 50	10 ... 30	20 ... 50	10 ... 30	20 ... 50
	Terminal capacity:															
rigid (solid and stranded)		mm ²	1 ... 2.5													
flexible			1 ... 2.5													
Length of removed wire insulation		mm	9									7				
Screw			M3.5									M3				
Screw head			PZ2									PZ1				
Tightening torque		Nm	1.2									0.6				
SAFETY	MTTF - Mean time to failure		h	AC-1: 5.000												
	MTTF = 1/λ = B10/(0.1 n _{op})			AC-3: 7.500												
	MTTF _d - Mean time to failure dangerous		h	AC-1: 6.666												
	MTTF _d = 1/λ _d = B10 _d /(0.1 n _{op})			AC-3: 10.000												
	B10 - Number of operating cycles until 10 % of devices fail		op. c.	AC-1: 150.000												
				AC-3: 225.000												
	B10 _d - Number of operating cycles until 10 % of device dangerous		op. c.	AC-1: 200.000												
	B10 _d = B10/ratio of dangerous failures			AC-3: 300.000												
	λ - Failure rate		1/h	AC-1: 0.0002												
	λ = (0.1 n _{op})/B10			AC-3: 0.000133												
	λ _d - Failure rate dangerous		1/h	AC-1: 0.00015												
	λ _d = (0.1 n _{op})/B10 _d			AC-3: 0.0001												
Ratio of dangerous failures		%	75													
n _{op} - Operating cycles (operating cycles/h)		op. c./h	300													

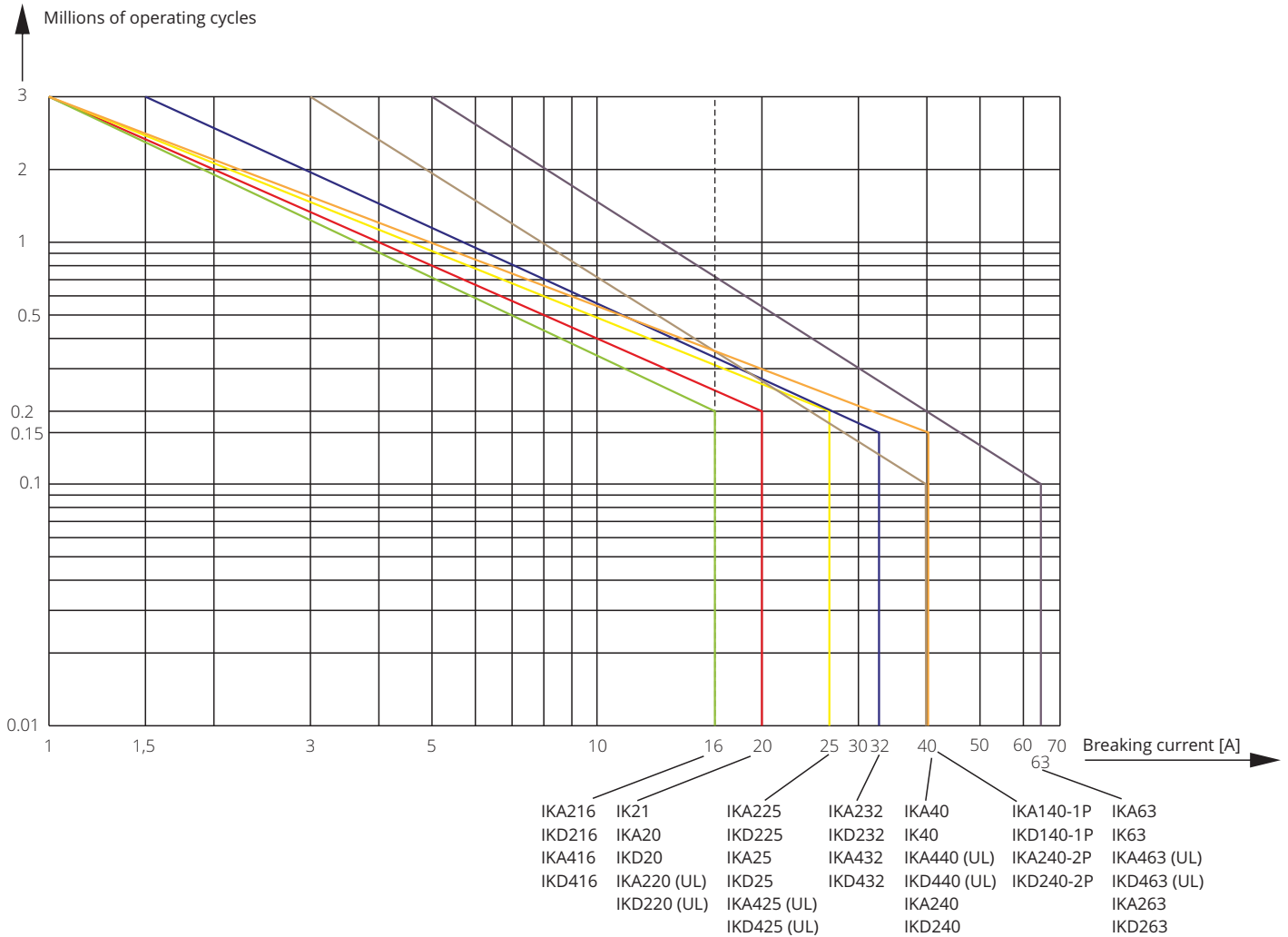
INSTALLATION CONTACTORS

Electrical endurance

AC-1/230V/1-phase for IKA20, IKD20, IKA216, IKD216, IKA220 (UL), IKD220 (UL), IKA225, IKD225, IKA232, IKD232, IKA440 (UL), IKD440 (UL), IKA463 (UL), IKD463 (UL), IKA140-1P, IKD140-1P, IKA240-2P, IKD240-2P, IKA240, IKD240, IKD263, IKD263

AC-1/400V/3-phase for IK21, IKA25, IKD25, IKA416, IKD416, IKA425 (UL), IKD425 (UL), IKA432, IKD432, IKA40, IK40, IKA63, IK63

Diagram 1

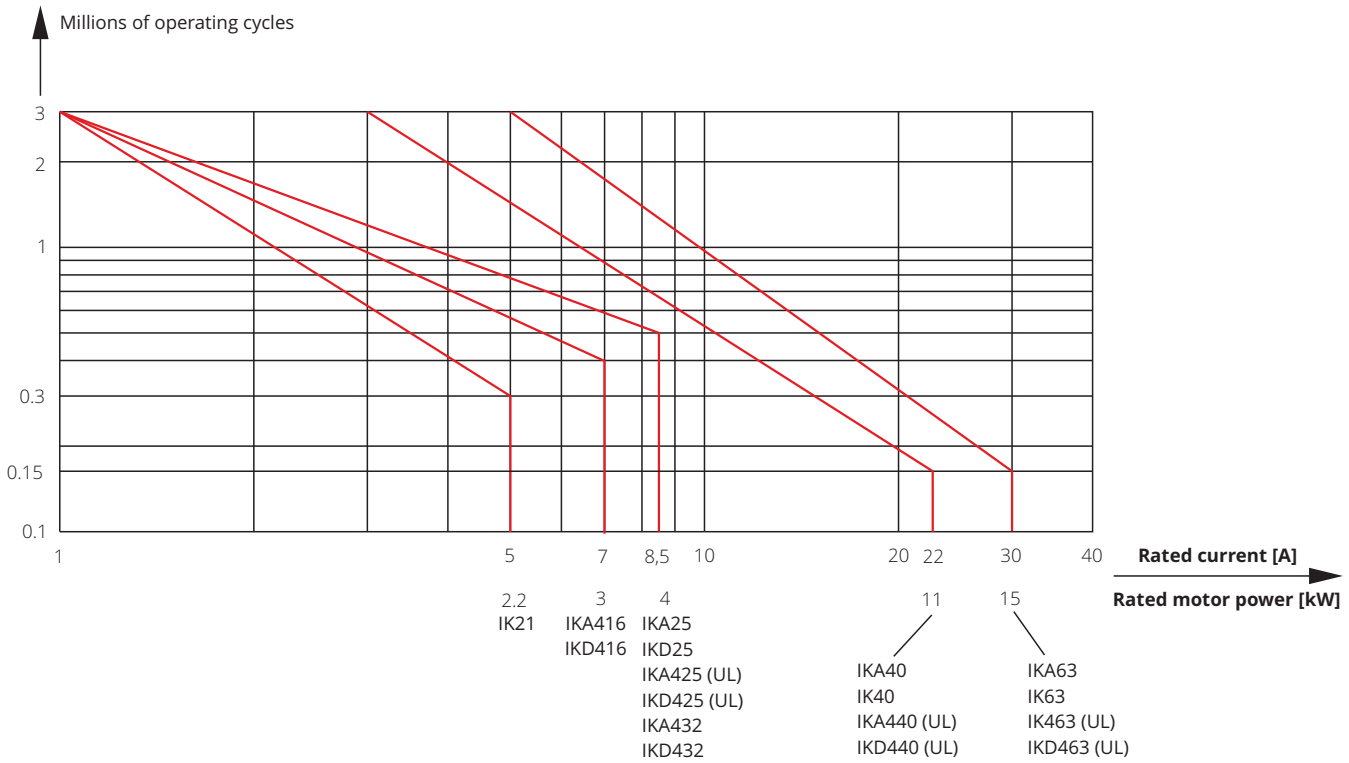


INSTALLATION CONTACTORS

Electrical endurance

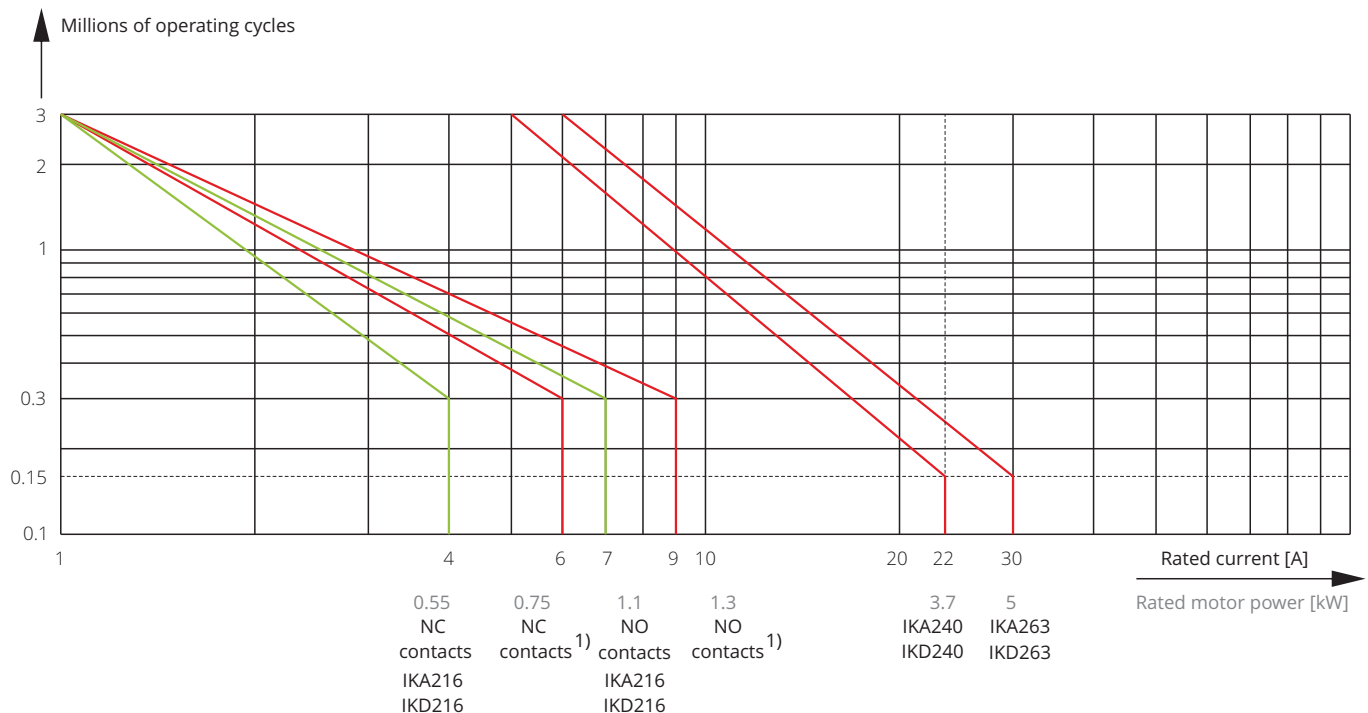
AC-3, AC-3e/400V/3-phase for IK21, IKA416, IKD416, IKA25, IKD25, IKA425 (UL), IKD425 (UL), IKA432, IKD432, IKA40, IKA63, IK63, IKA440 (UL), IKD440 (UL), IKA463 (UL), IKD463 (UL)

Diagram 2



AC-3, AC-3e/230V/1-phase for IKA216, IKD216, IKA20, IKD20, IKA220 (UL), IKD220 (UL), IKA225, IKD225, IKA232, IKD232, IKA240, IKD240, IKA263, IKD263

Diagram 3

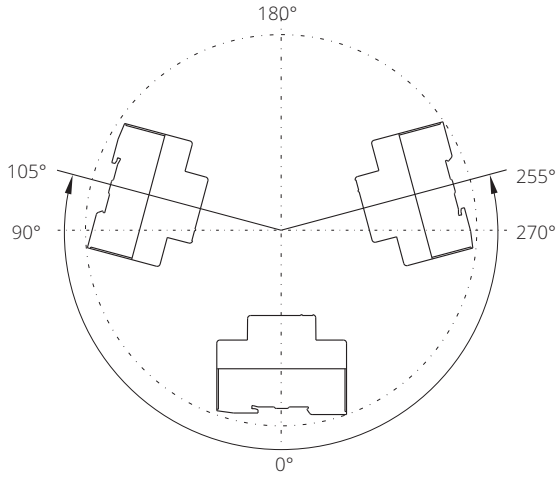


¹⁾ IKA20, IKD20, IKA220 (UL), IKD220 (UL), IKA225, IKD225, IKA232, IKD232

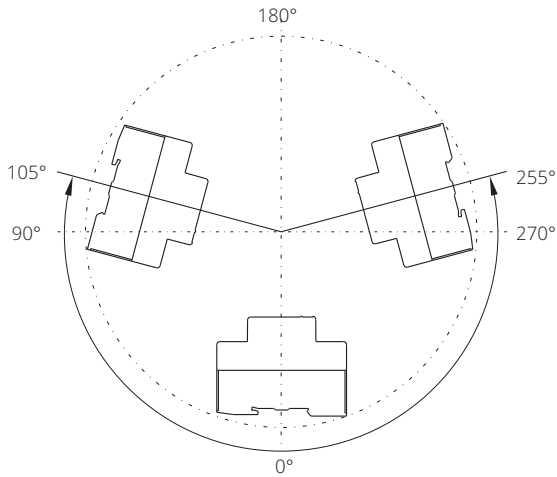
INSTALLATION CONTACTORS

Operation position

**IKA216/20/225/232/140/240/25/432/40/63
IKA220/425/440/463 (UL)**

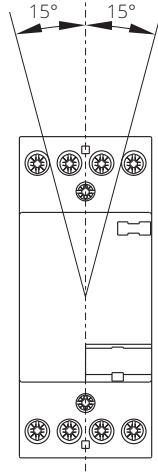


**IKA216/20/225/232-R/-T
IKA25/432-R/-T**

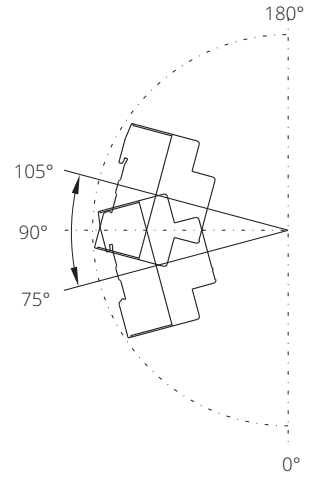


NOTE: IK21 and IKS-R/-T have no limitation

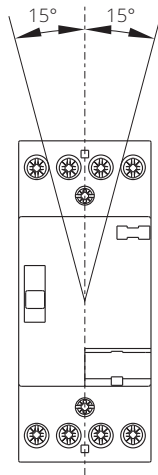
All installation contactors



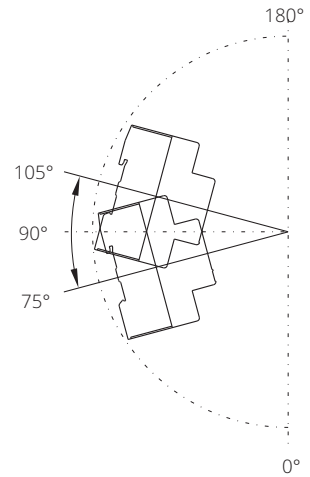
**IKD216/20/225/232/140/240/25/432
IK40/63, IKD220/425/440/463 (UL)**



**IKA/D216/20/225/232-R/-T
IKA/D416/25/432-R/-T**

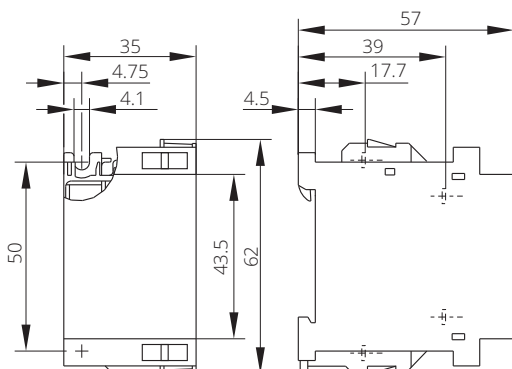


**IKD20/225/232-R/-T
IKD25/432-R/-T**



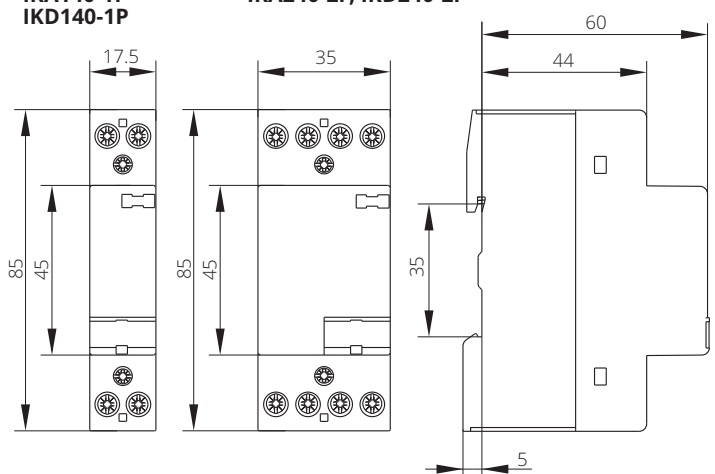
Dimensions (in millimeters)

IK21



**IKA216, IKD216
IKA20, IKD20
IKA225, IKD225
IKA232, IKD232
IKA140-1P
IKD140-1P**

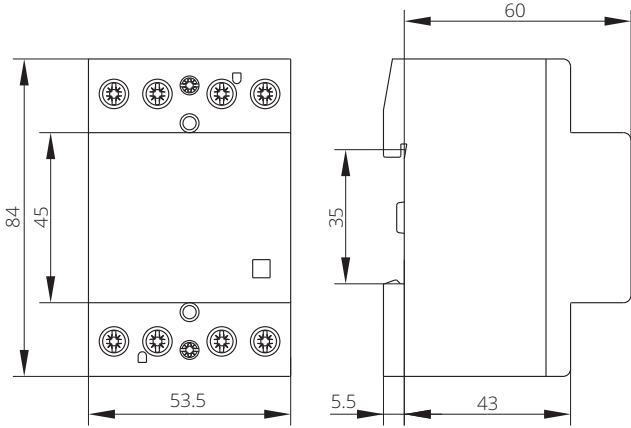
**IKA416, IKD416
IKA25, IKD25
IKA25, IKD25
IKA432, IKD432
IKA240-2P, IKD240-2P**



INSTALLATION CONTACTORS

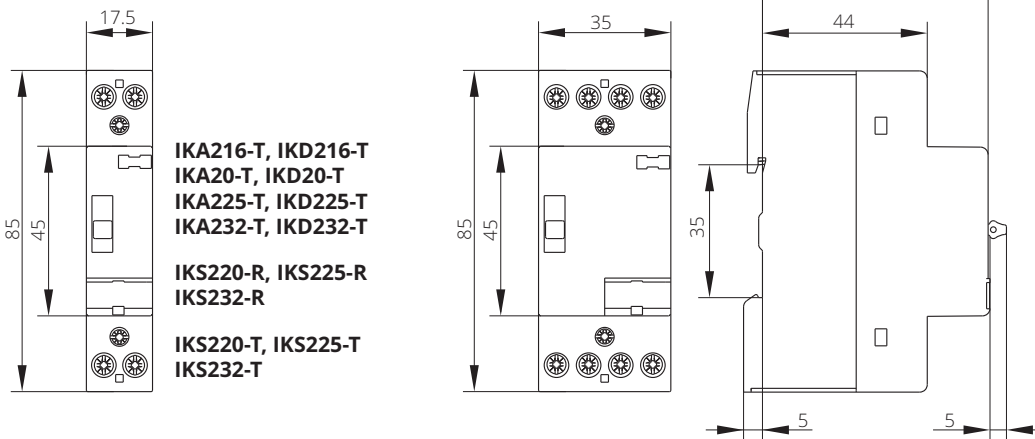
Dimensions (in millimeters unless otherwise stated)

IK40, IK63
IKA40, IKA63



IKA216-R, IKD216-R
IKA20-R, IKD20-R
IKA225-R, IKD225-R
IKA232-R, IKD232-R

IKA416-R, IKD416-R, IKA416-T, IKD416-T
IKA25-R, IKD25-R, IKA25-T, IKD25-T
IKA432-R, IKD432-R, IKA432-T, IKD432-T
IKS420-R, IKS425-R, IKS432-R
IKS420-T, IKS425-T, IKS432-T



IKA220 (UL), IKD220 (UL)
IKA425 (UL), IKD425 (UL)

IKA440 (UL), IKD440 (UL)
IKA463 (UL), IKD463 (UL)

